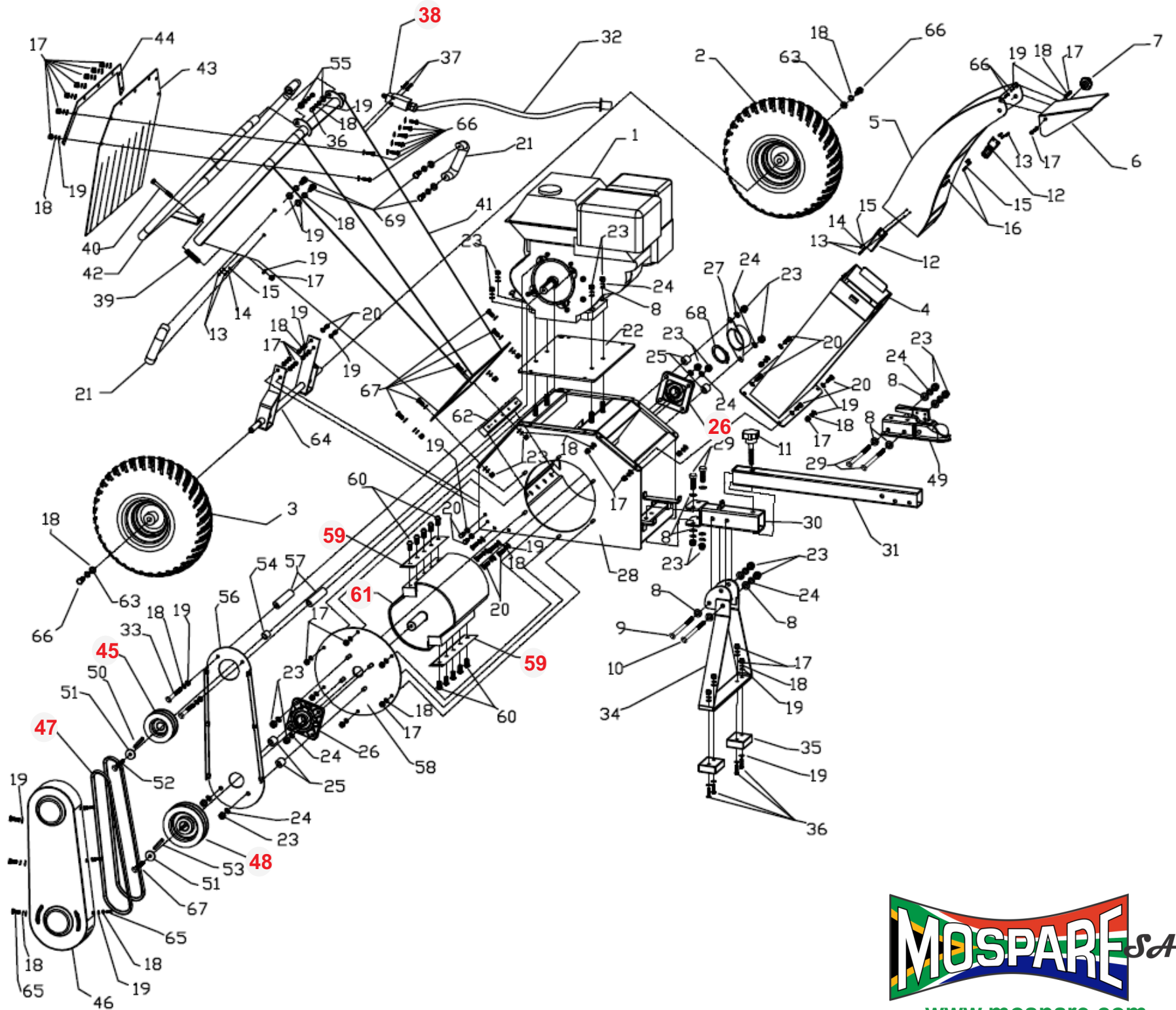




Rocwood

K150 CHIPPER



www.mospare.com

K150 CHIPPER SPARES

PART NUMBER	DESCRIPTION	IPL REFERENCE
97-2301	Bearing House suits Chipper K150	26
97-2319	Emergency Stop Switch suits Chipper K150	38
97-2302	Pulley (small) suits Chipper K150	45
97-2303	Belt suits Chipper K150	47
97-2304	Pulley (Big) suits Chipper K150	48
97-2305	Blade suits Chipper K150	59
97-2318	Blade Drum suits Chipper K150	61